

GEORGIAN LEVEL RAILING INSTRUCTIONS

STOP!

NOTE: IF YOU ARE INSTALLING LED LIGHTING PLEASE REFER TO PREFERREDRAILINGSYSTEMS.COM

CHECK ALL LOCAL BUILDING CODES BEFORE YOU BEGIN!

Instructional Videos at <http://preferredrailingsystems.com/>

1 Gather necessary tools before installation (check box)

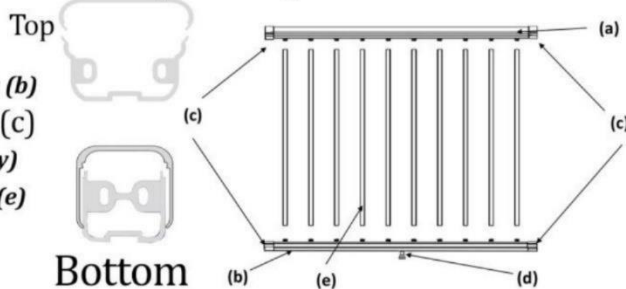
- | | | |
|---|---|--|
| <input type="checkbox"/> Pencil | <input type="checkbox"/> Miter saw | <input type="checkbox"/> #2 Phillips bit |
| <input type="checkbox"/> Tape measure | <input type="checkbox"/> Right angle driver | <input type="checkbox"/> Clamps |
| <input type="checkbox"/> Level | <input type="checkbox"/> #1 Square bit | <input type="checkbox"/> Speed square |
| <input type="checkbox"/> Cordless drill or impact | <input type="checkbox"/> #2 Square bit | |

Manufacturer Recommends:

- Bracket Placement Template (provided with order)
- Impact Ready Right Angle

2 Make sure the following components are included (check box)

- 1 -Top level rail w/ baluster connectors (a)
- 1—Bottom level rail w/ baluster connectors (b)
- 2—Top & Bottom Level Bracket with caps (c)
- 1—Rail support w/ baluster (d) (6' & 8" Only)
- Balusters (10 for 4', 15 for 6', and 21 for 8') (e)
- 4— Painted Self Drilling Screws
- 8—Non-Painted Self Drilling Screws
- 6- Non Painted Self Drilling Screws

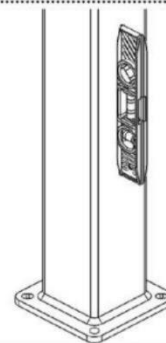


Be aware that RESIDENTIAL level posts are 39" while COMMERCIAL level posts are 45"

3 Aluminum Post Installation

- Determine location of all posts prior to installing deck boards.
- Add blocking where necessary to support proper post installation.
- Insert the composite (2) shims included with your posts under the post base, using a level to make sure your posts are plumb.
- If using standard lag bolts, first pre-drill your holes. and then using 2-1/2" lag bolts with washers fasten all hardware through the decking and into the framing structure or blocking to hold it in place.
- Cut or break off the shims.

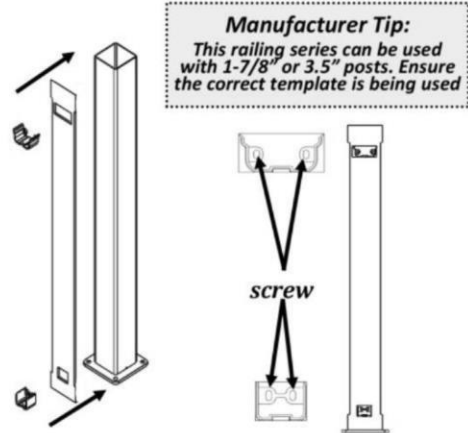
Manufacturer Tip:
Use Power lags to avoid having to pre-drill holes for a faster and smoother install



V3.G-0000003

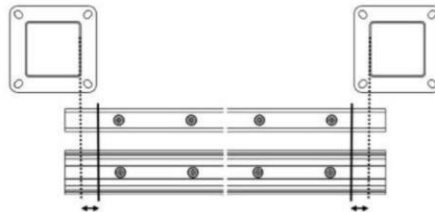
4 Aluminum Post Installation

- *Locate Bracket Placement Template provided with your rail kit order*
- *Clamp Bracket Template to the post as flush as possible*
- *Position the saddles into the template*
- *Use the provided #8 x 3/4 MILL Pan Head Self Drilling screws to secure bracket onto post through the two screw holes of each bracket .*



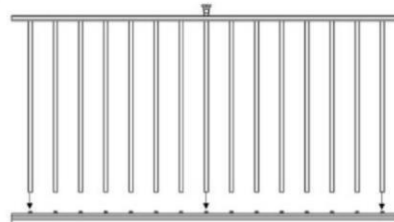
5 Measure & Cut Aluminum Rails

- *Lay your bottom rail on the deck centered between two posts.*
- *Mark a line where the post is on both sides of the rail.*
- *Measure back 1/2" from the first line and mark a cut line on both ends.*
- *Lay the top rail beside the bottom rail and line up the baluster connectors.*
- *Using the cut line from your bottom rail, mark a cut line on your top rail .*



6 Railing Assembly

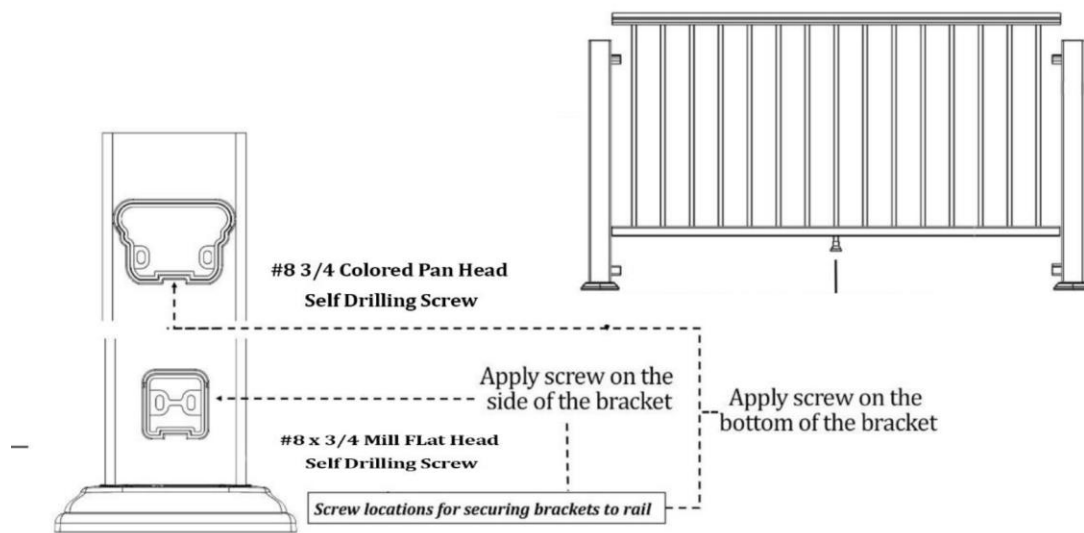
- *Lay down a protective blanket or cardboard to protect the rail and place the top rail upside down .*
- *We suggest clamping the top rail to the deck or a work bench to keep it stable.*
- *Install the balusters on each of the baluster connectors, making sure they are tight against the rail. Use a rubber mallet if needed to tap them in place.*
- *Install the bottom rail, making sure all of the balusters line up. Use a rubber mallet to tap the rail onto the balusters.*
- *Attach the rail support baluster to the bottom rail and tap on with a rubber mallet.*



7 Attach Railing to Posts

Manufacturer Tip:
Place a bead of caulk on top of the top & bottom rail where the bracket cap will rest to better secure the caps

- Remove the clamps and flip the railing over.
- Peel back the plastic protective cover from the top rail 3" - 4" on both ends. Slide top caps onto rail.
- Place railing section onto the attached bracket saddles secured to the post.
- Slide top caps onto top brackets, using soft blocking and a rubber mallet
- Using the provided hardware, secure the top and bottom brackets to the railing. (see below)
- Now pop on bottom cap onto bottom bracket, use rubber mallet if needed
- Adjust the rail support baluster(s) to brace the railing and use the supplied hardware to hold it in place.
- Remove the rest of the protective film from the top of the top railing.
- Locate and install the 2 piece base trim(s) onto the base of the posts using the supplied hardware.
- Push post caps onto posts to complete railing assembly.



V3.G-0000003